

## Connector female “Super Seal – 3 PIN”

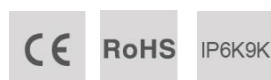
### ARTICLE NUMBER

With 500mm Cable	69-0167-007
With 3000mm Cable	69-0167-017
With 5000mm Cable	69-0167-027
With 10000mm Cable	69-0167-037

### Super Seal Connector female 3 PIN

### PRODUCT FEATURES

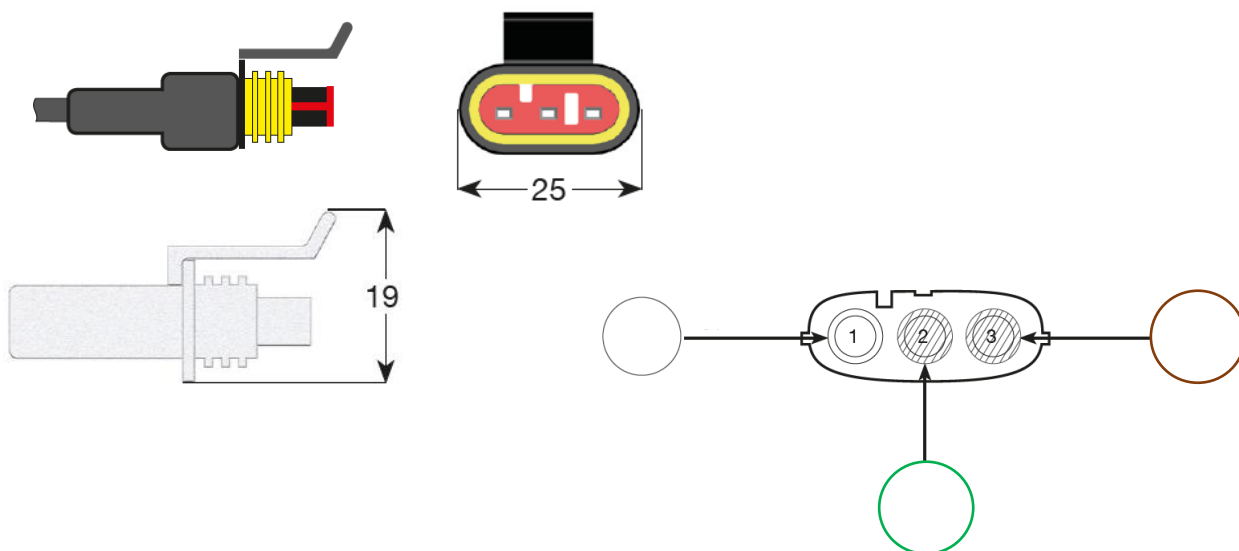
- Fast and easy connection for LED applications
- Suitable for outdoor use due to IP6K9K protection
- Housing made of glass fiber reinforced polyamide 6.6
- With integrated silicone seals
- Temperature range -40 to +80 °C



### INFORMATIVE DATA

Maximum Current	12 A
Operating Temperature	-40 °C ~ + 80°C
PIN 1	Ground ( <i>white</i> )
PIN 2	Data – Line ( <i>green</i> )
PIN 3	+24 V ( <i>brown</i> )

## PRODUCT DRAWING



These data can have a tolerance value of  $\pm 15\%$ . Typing and printing errors reserved.